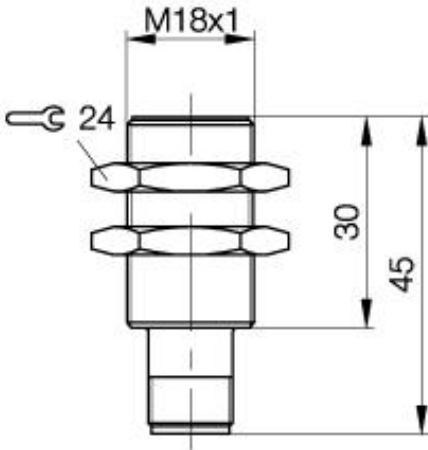


**Inductive Sensors**  
**BES 515-326-E5-T-S 4**  
**M18x1 x 45**  
**normally-open**  
**Sn=5mm**  
**shielded**



**Common Data**

Product name	Proxinox
Mounting in steel	shielded
Rated operating distance Sn	5mm
Assured operating distance Sa	0...4.0mm
Repeatability R	≤ 5%
Hysteresis	≤ 15%
Ambient temperature range	-40...+105°C
Polution Degree	3
Time delay before availability	≤ 15ms

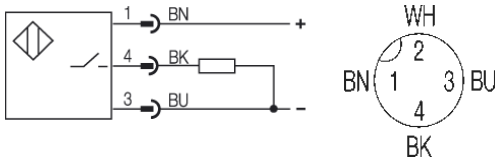
**Mechanical Data**

Measurements BxHxT or DxT	M18x1 x 45mm
Housing material	1.4571
Material of sensing face	PA 12
Degree of protection	IP68 acc. BWN Pr 27IP
Connection	Connector S4 (M12)
Shock: Halfsinus, 30 gn, 11ms	
Vibration: 55 Hz, 1mm Amplitude, 3 x 30 Minutes	

**Electrical Data**

Current type	DC
Wiring	3-Wire
switching function	normally-open
Output signal	PNP
Rated operational voltage	24 DCV
Rated operational current	130mA
Supply voltage	10...30 DCV
Ripple	≤ 15%
max. switching frequency	500Hz
No-load supply current	≤ 25/≤ 12mA
Off-state current	≤ 80µA
Voltage drop	≤ 3.5V
Short circuit protection	yes
Protected against polarity reversal	yes

PX0580



Utilization categories  
 Insulation class

DC 13

Datasheet number:

Definitions see general catalog.  
 If not otherwise noted, ratings according to  
 IEC 60947-5-2 (DIN EN60947-5-2)

Balluff GmbH  
 Schurwaldstrasse 9  
 73765 Neuhausen a.d.F.  
 Phone (07158) 173-0 Fax (07158) 5010

Datenblatt by CD-ROM - 04/2007

